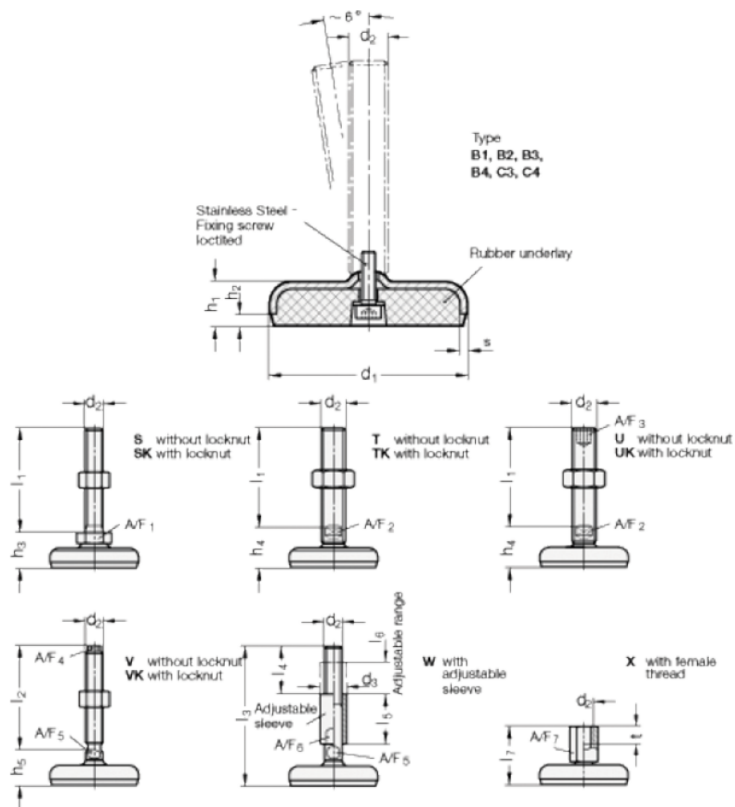


Data Sheet



Article number: 203150M16100B2TK
 Description: E+G levelling foot
 GN 31-50-M16-100-B2-TK
 Note: TK With nut, Wrench flat at the bottom

Measures



A/F2	=	12
d1	=	50
d2	=	16
h1	=	16
h2	=	3.5
h4 +4.0/0	=	29
l2	=	100
s	=	3